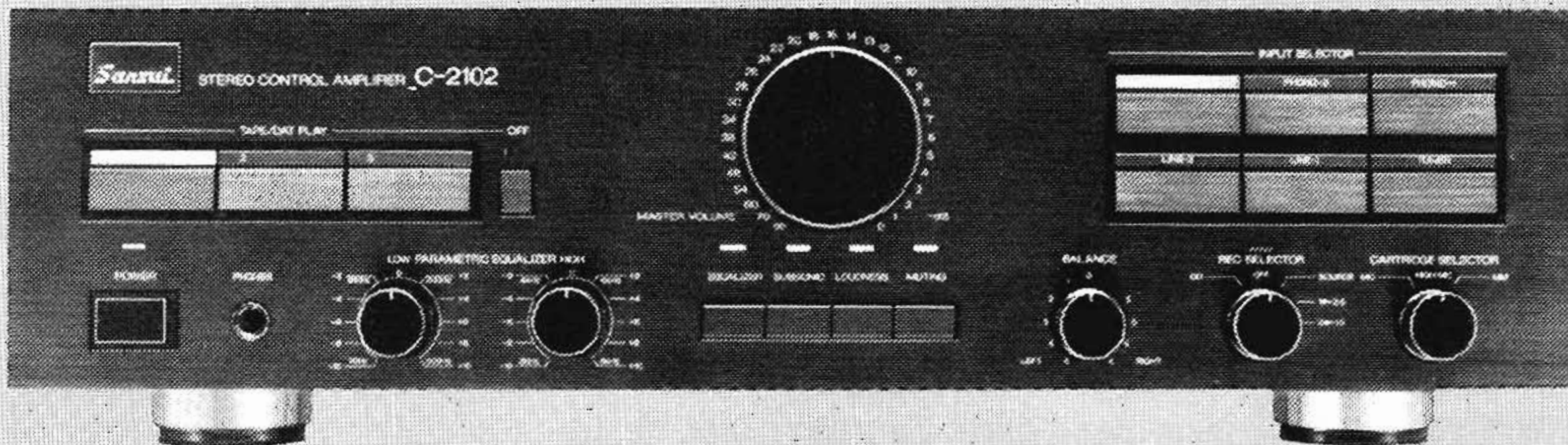


SERVICE MANUAL

STEREO CONTROL AMPLIFIER

SANSUI C-2102



CAUTION

1. Parts identified by the \triangle symbol on the schematic diagram and the parts list are critical for safety. Use only replacement parts that have critical characteristics recommended by the manufacturer.
2. Make leakage-current or resistance measurements to determine that exposed parts are acceptably insulated from the supply circuit before returning the appliance to the customer.

•SPECIFICATIONS

Input sensitivity and impedance (at 1 kHz)

PHONO-1, 2 (MC).....	250 μ V/100 ohms
(Max. input capability: 30 mV at 1 kHz, less than 0.01% total harmonic distortion)	
PHONO-1, 2 (HIGH MC) 2.5 mV/100 ohms
PHONO-1, 2 (MM).....	2.5 mV/47 kohms
(Max. input capability; 300 mV at 1 kHz, less than 0.01% total harmonic distortion)	
CD, TUNER, LINE-1, 2 150 mV/47 kohms
TAPE PLAY-1, 2, 3/DAT 150 mV/47 kohms

Output level (1,000 Hz)

TAPE REC-1, 2, 3.....	150 mV
OUTPUT.....	1V
(Max. output level; 15V at 1 kHz, less than 0.01% total harmonic distortion)	

Total harmonic distortion (20 Hz to 20 kHz)

PHONO-1, 2 (MC).....	less than 0.01% (REC OUT)
PHONO-1, 2 (MM).....	less than 0.005% (REC OUT)
CD, TUNER, LINE-1, 2 less than 0.003%

Frequency response (at 0.5V)

PHONO-1, 2 (MM) (RIAA curve deviation) 20 Hz ~ 20 kHz \pm 0.2 dB
CD, TUNER, LINE-1, 2 DC ~ 300 kHz +0, -3 dB
TAPE PLAY-1, 2, 3 DC ~ 300 kHz +0, -3 dB

Signal to noise ratio (short-circuit, A-network)

PHONO-1, 2 (MC).....	70 dB
PHONO-1, 2 (MM).....	88 dB
CD, TUNER, LINE-1, 2 110 dB
TAPE PLAY-1, 2, 3.....	110 dB

Controls and Filter

LOW.....	\pm 12 dB (70 Hz ~ 300 Hz)
HIGH.....	\pm 12 dB (2 kHz ~ 8 kHz)
SUBSONIC.....	-3 dB at 16 Hz (6 dB/oct)
MUTING.....	-20 dB
LOUDNESS.....	+8 dB at 50 Hz
	+6 dB at 10 kHz
(VOLUME: -30 dB position)	

Power requirements

Power voltage.....	120/220/240V (50/60 Hz)
For U.S.A. & Canada	
.....	120V (60 Hz)
Power consumption....	30 watts

Dimensions.....	430 mm (16-15/16") W
	119 mm (4-11/16") H
	326 mm (12-7/8") D

Weight.....	5.5 kg (12.1 lbs) net
	7.1 kg (15.7 lbs) packed

* Design and specifications subject to changes without notice for improvements.

* Due to local laws and regulations, this unit sold in some areas are not equipped with variable voltage selectors.

Sansui

SANSUI ELECTRIC CO., LTD.

CAUTION

1. The symbols, UL, CSA, SA, BS, UK, EU, AS, SEV and XX (EXPORT) on the parts list and the schematic diagram mean followings respectively.
 - UL..... Manufactured for U.S.A market.
(Underwriters Laboratories approved model.)
 - CSA Manufactured for Canadian market.
 - SA..... Manufactured for South African market.
 - BS, UK Manufactured for United Kingdom market.
 - EU Manufactured for European market.
 - AS..... Manufactured for Australian market.
 - SEV Manufactured for Swiss market.
 - XX (EXPORT) Standard Version.
 - NON MARK Common Parts.

2. Some printed circuit boards are not supplied as the assembled. To separate these in this service manual, the stock No's are not indicated at the ends of the board names. However, the individual parts on the circuit boards are provided by orders.

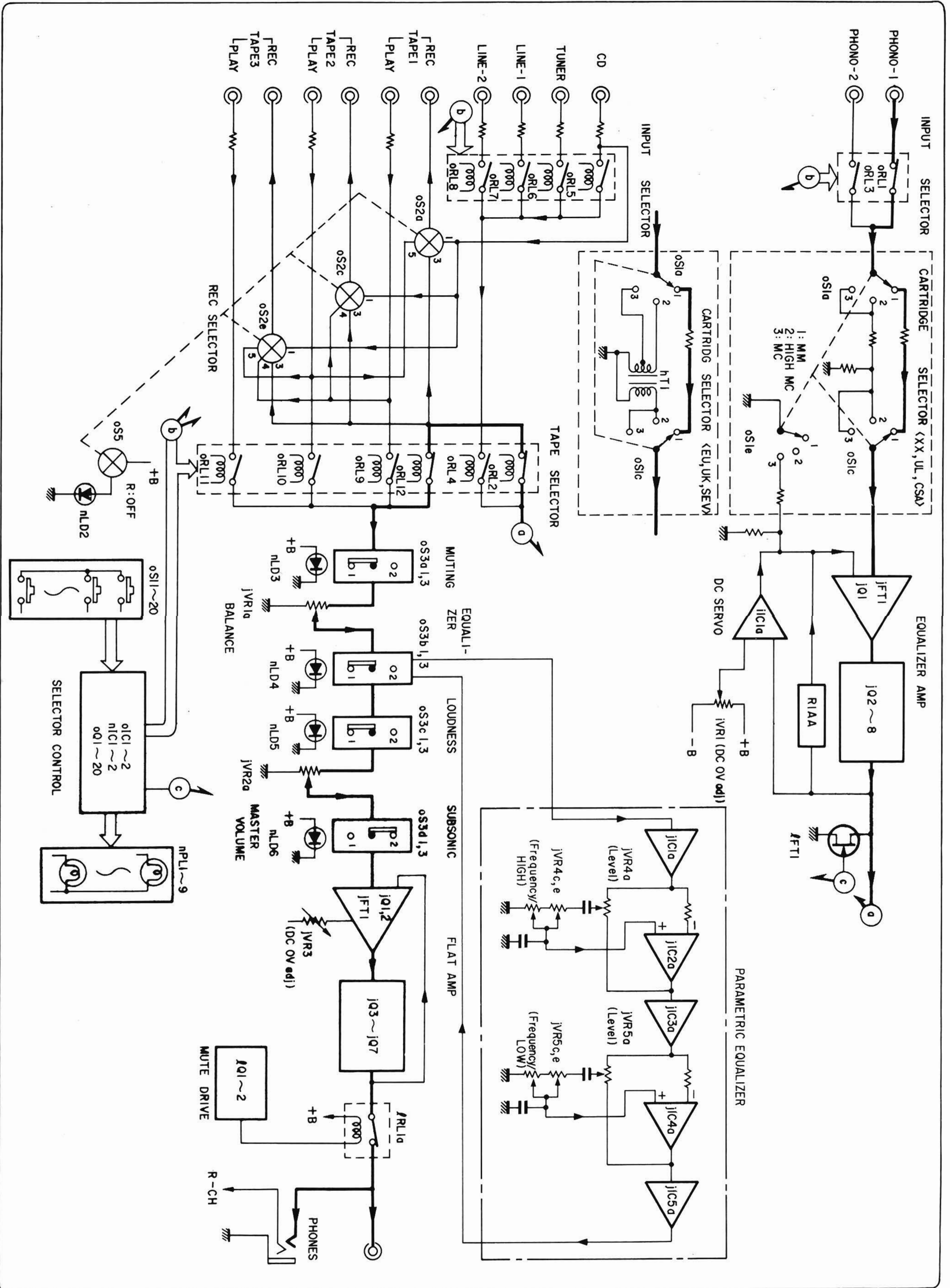
3. Since some of capacitors and resistors are omitted from parts lists in this service manual, refer to the Common Parts List for capacitors & resistors, which was issued on February 1983.

4. Abbreviations in this service manual are as follows.

•Abbreviations List

C.R. : Carbon Resistor	E.B.L. : Low Leak Bi-Polar Electrolytic Capacitor
S.R. : Solid Resistor	Ta.C. : Tantalum Capacitor
Ce.R. : Cement Resistor	F.C. : Film Capacitor
M.R. : Metal Film Resistor	M.P. : Metalized Paper Capacitor
F.R. : Fusing Resistor	P.C. : Polystyrene Capacitor
N.I.R. : Non-Inflammable Resistor	G.C. : Gimmic Capacitor
A.R. : Array Resistor	A.C. : Array Capacitor
C.C. : Ceramic Capacitor	V.R. : Variable Resistor
C.T. : Ceramic Capacitor, Temperature Compensation	S.V.R. : Semi Variable Resistor
E.C. : Electrolytic Capacitor	SW. : Switch
E.L. : Low Leak Electrolytic Capacitor	Chip R. : Chip Resistor
E.B. : Bi-Polar Electrolytic Capacitor	Chip C. : Chip Capacitor

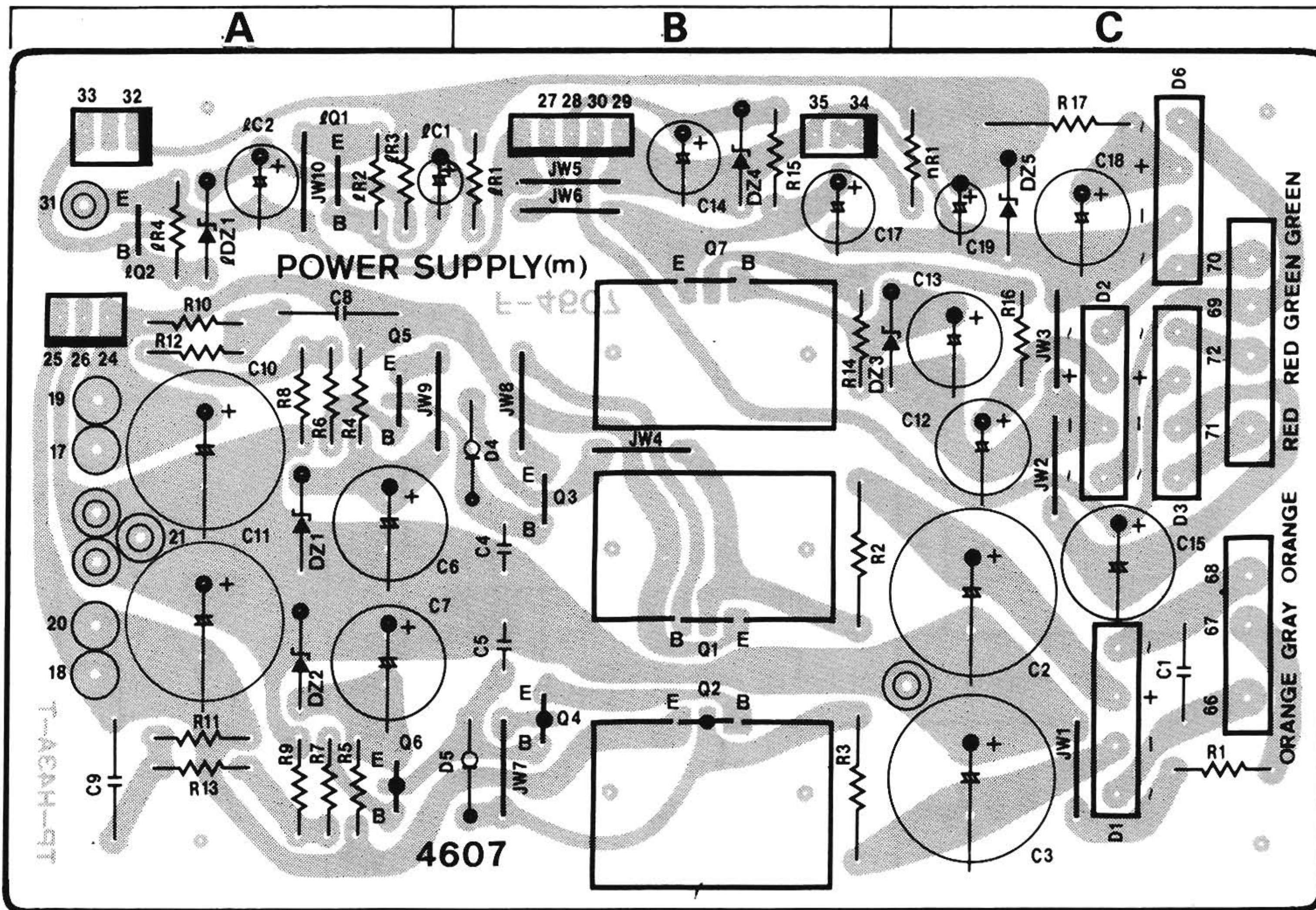
1. BLOCK DIAGRAM



2. PARTS LOCATION & PARTS LIST

2-1. F-4607 Power Supply Board (Stock No. 00984401)

Component Side



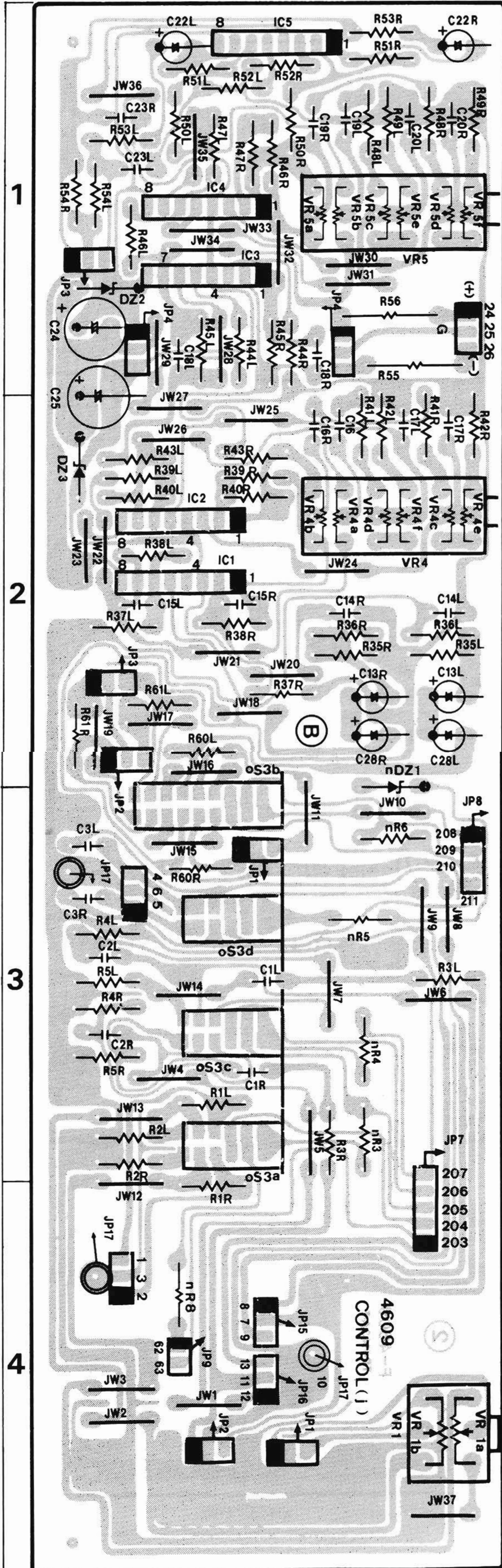
Parts List

Parts No.	Stock No.	Description
•Transistor		
IQ1	46581701	2SC1845
IQ2	46581701	2SC1845
•Zener Diode		
IDZ1	46111800	05Z6.2-Y
•Transistor		
△mQ1	46728901	2SC3298
△	or 48158701	2SC2591
△mQ2	46728801	2SA1306
△	or 48158601	2SA1111
mQ3	46581701	2SC1845
mQ4	46581601	2SA992
mQ5	46581701	2SC1845
mQ6	46581601	2SA992
△mQ7	03086101	2SD357
•Diode		
△mD1	07193300	UB-152LFF
△mD2	03117000	RB152-LFF
△mD3	03117000	RB152-LFF
mD4	46445500	10YD4.5
	or 46445600	10YD4.5
mD5	46445500	10YD4.5
	or 46445600	10YD4.5

Parts No.	Stock No.	Description
△mD6	03117000	RB152-LFF
•Zener Diode		
mDZ1	46114200	05Z13-Y
mDZ2	46114200	05Z13-Y
mDZ3	46116000	05Z24-Y
mDZ4	46114200	05Z13-Y
mDZ5	46116000	05Z24-Y
△mR1	46227800	10Ω 1/2W N.I.R.
△mR2	46227400	4.7Ω 1/2W N.I.R.
△mR3	46227400	4.7Ω 1/2W N.I.R.
△mR15	46230000	680Ω 1/2W N.I.R.
△mR16	46227400	4.7Ω 1/2W N.I.R.
△mR17	46229700	390Ω 1/2W N.I.R.
△mC1	48527800	0.01μF 630V F.C.
mC2	48198200	1000μF 50V E.C.
mC3	48198200	1000μF 50V E.C.
mC4	46654800	470pF 100V F.C.
mC5	46654800	470pF 100V F.C.
mC8	07255800	0.22μF 200V F.C.
mC9	07255800	0.22μF 200V F.C.
mC10	46628500	470μF 50V E.C.
mC11	46628500	470μF 50V E.C.
△nR1	46230600	2.2kΩ 1/2W N.I.R.

2-2. F-4609 PARAMETRIC EQUALIZER Board (Stock No. 00984701)

Component Side

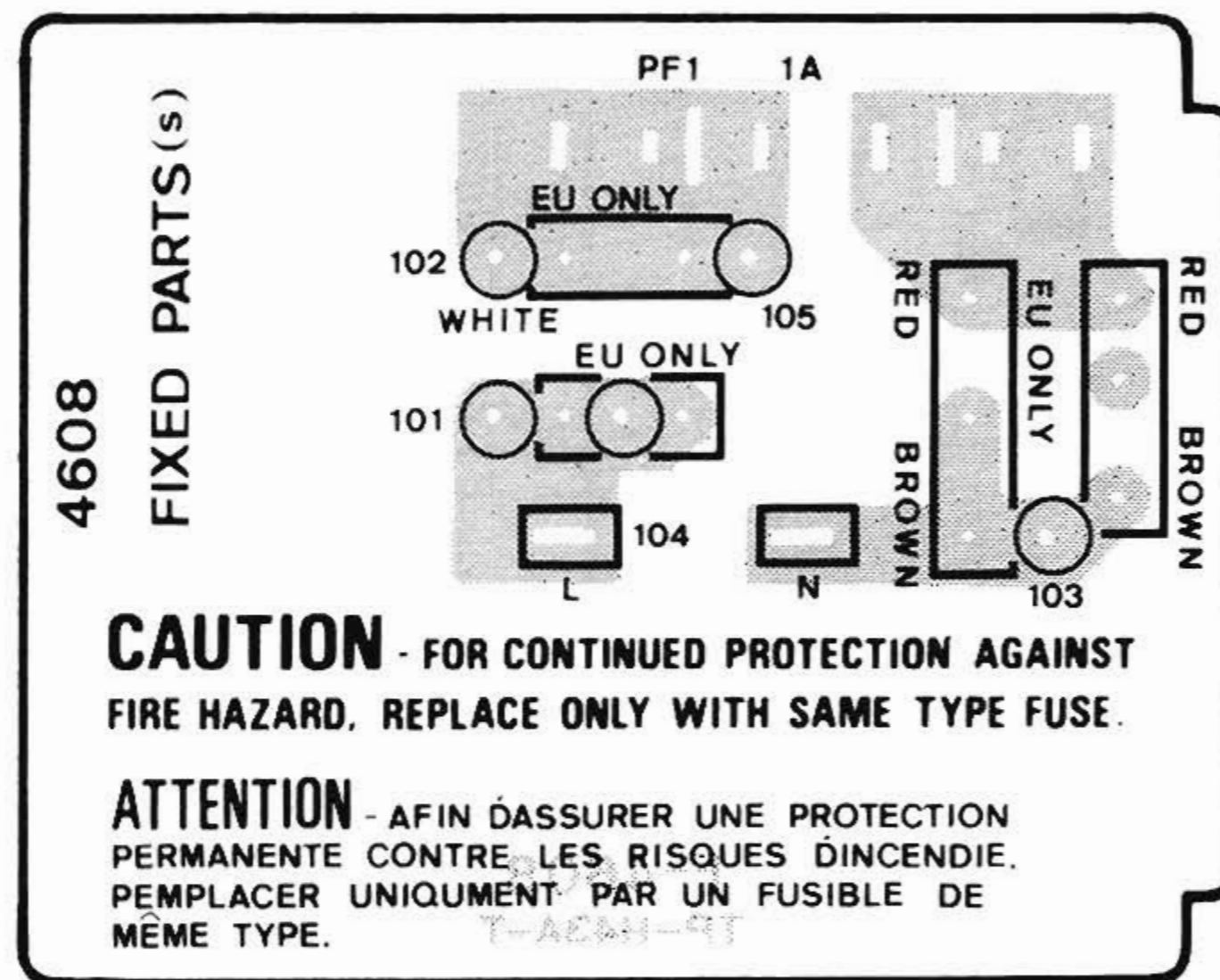


Parts List

Parts No.	Stock No.	Description
• IC		
jIC1	46288800	M5220L
jIC2	46288800	M5220L
jIC3	46288800	M5220L
jIC4	46288800	M5220L
jIC5	46288800	M5220L
• Zener Diode		
jDZ2	46115700	05Z22-Y
jDZ3	46115700	05Z22-Y
△jR55	46909600	330Ω 3W N.I.R.
△jR56	46909600	330Ω 3W N.I.R.
jC1	46655000	560pF 100V F.C.
jC2	46283900	0.068μF 50V F.C.
jC3	46886600	0.043μF 100V F.C.
jC17	46654600	390pF 100V F.C.
jC19	46696100	0.024μF 50V F.C.
jC20	46283100	0.015μF 50V F.C.
jC23	46281800	1000pF 50V F.C.
jVR1	48112410	250kΩ V.R., BALANCE
jVR4	48111000	100kΩ•10kΩ V.R., PARAMETRIC EQUALIZER
jVR5	48111000	100kΩ•10kΩ V.R., PARAMETRIC EQUALIZER
• Zener Diode		
nDZ1	46109100 or 46109200	05Z2.7-Y 05Z2.7-Z
△nR8	46230500	1.8kΩ 1/2W N.I.R.
oS3	48113100	Push SW., EQUALIZER•SUBSONIC•LOUDNESS•MUTING

2-3. F-4608 Fuse Board

Component Side

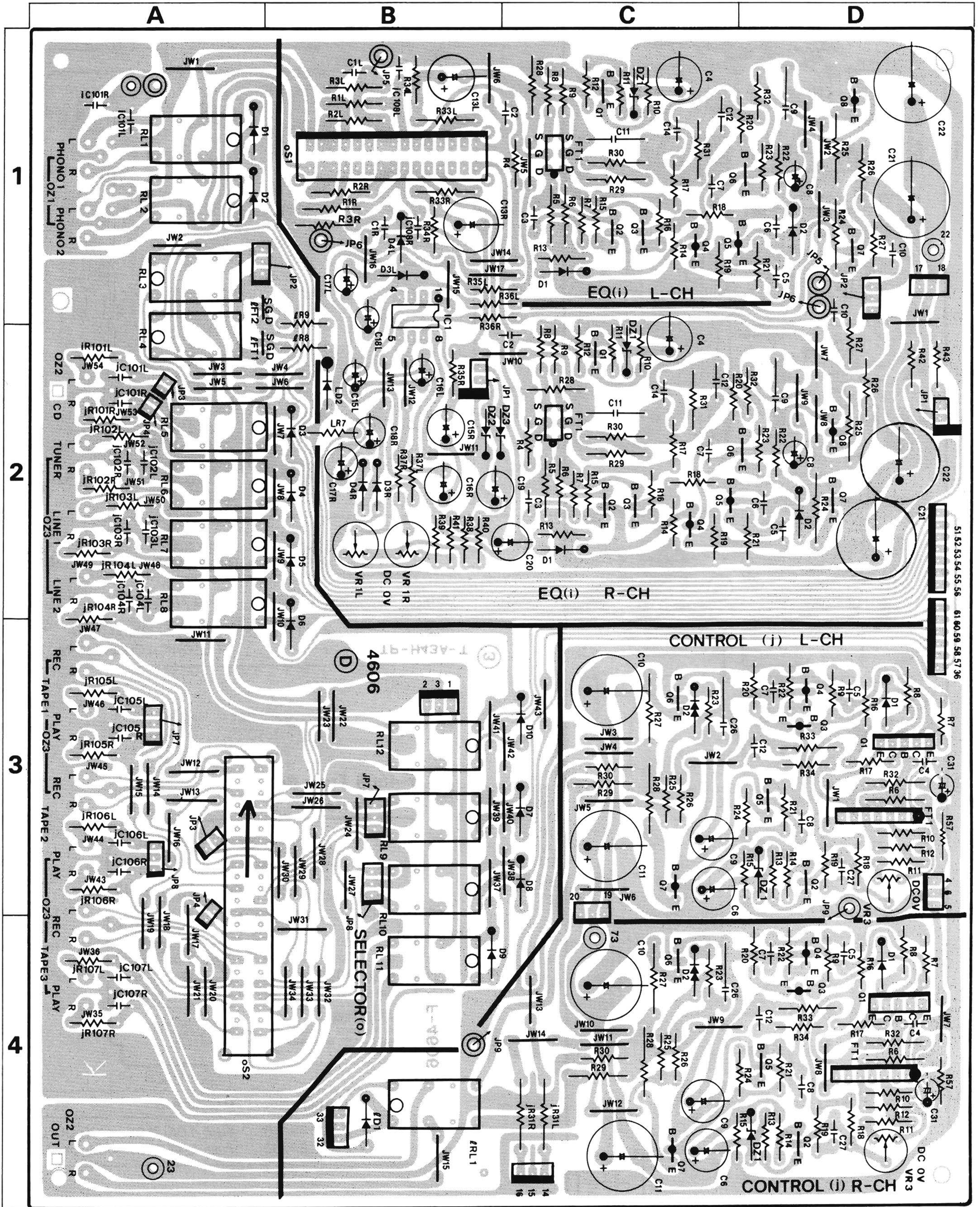


Parts List

Parts No.	Stock No.	Description
△pF1	07188400	Fuse 1.0A 250V <XX, UL, CSA>
△	07184700	Fuse 1.0A 250V <EU, UK, SEV>

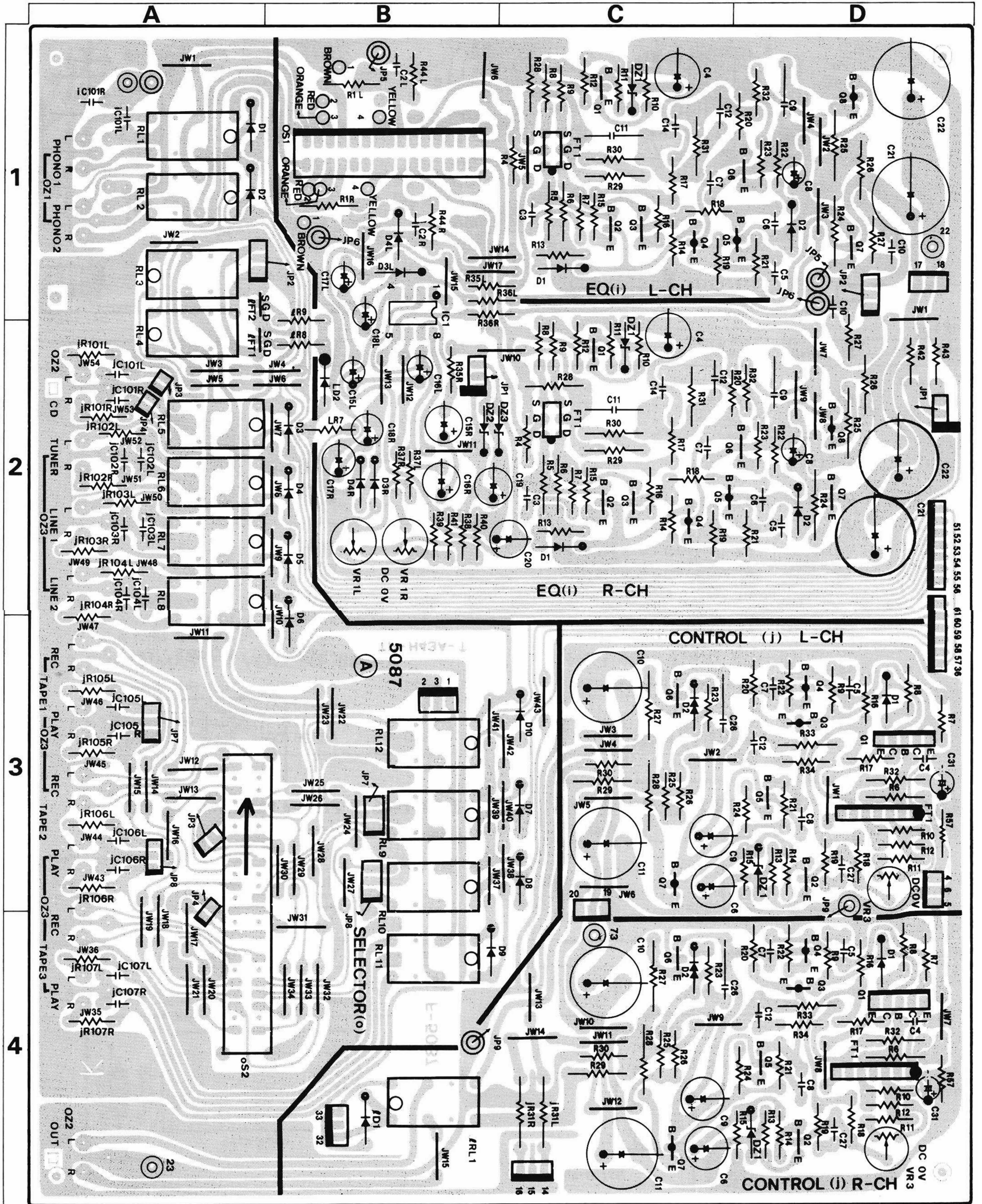
2-4. F-4606 EQUALIZER Amp. and FLAT Amp. Board <XX, UL, CSA> (Stock No. 00984201=XX,UL) (Stock No. 00984203=CSA)

Component Side



2-5. F-5087 EQUALIZER Amp. and FLAT Amp. Board < EU, UK, SEV > (Stock No. 01010605)

Component Side



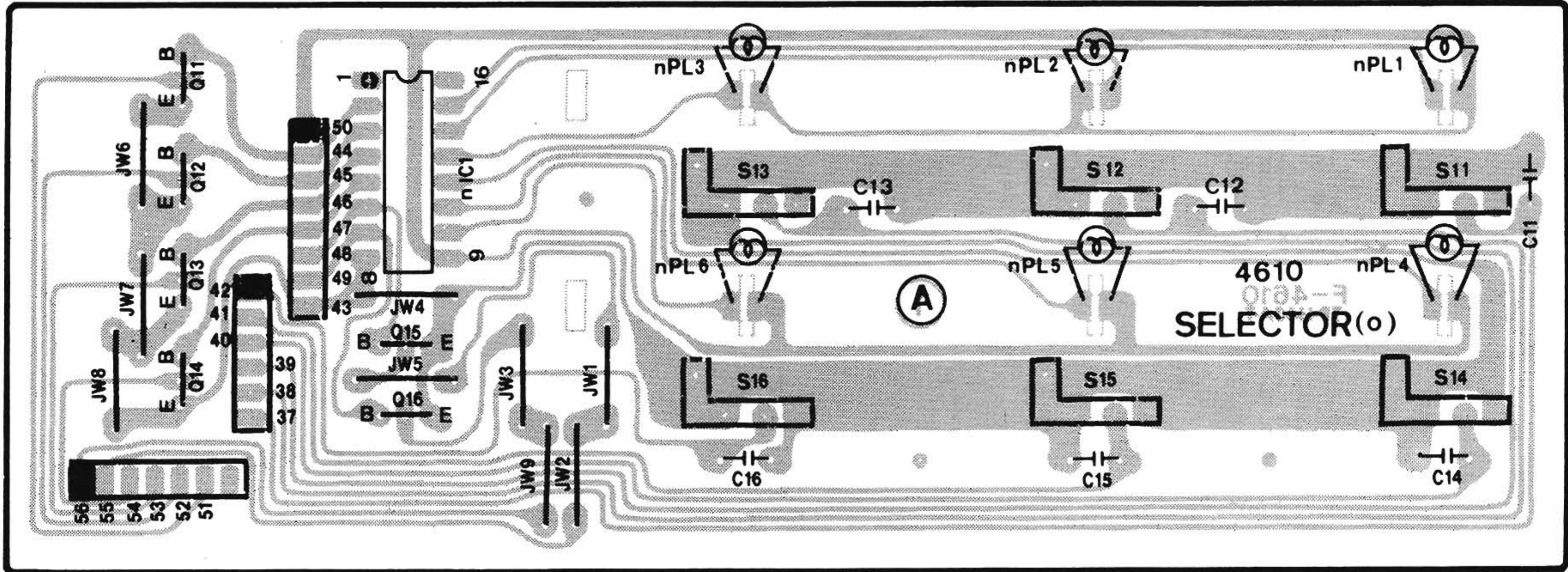
Parts List < F-4606 or F-5087 >

Parts No.	Stock No.	Description
hT1	48562200	MC Head Transformer <EU,UK,SEV>
•Transistor		
iQ1	46581701	2SC1845
iQ2	46581701	2SC1845
iQ3	46581701	2SC1845
iQ4	46581601	2SA992
iQ5	46581601	2SA992
iQ6	46581701	2SC1845
iQ7	46728301	2SC2705
iQ8	46728201	2SA1145
•FET		
iFT1	03703500	2SK146
•IC		
iIC1	03607700	NJM4558D
•Diode		
iD1	03117600 or 46086000	1S2473T77 1S1588TP-3
iD2	03117600 or 46086000	1S2473T77 1S1588TP-3
iD3	03117600 or 46086000	1S2473T77 1S1588TP-3
iD4	03117600 or 46086000	1S2473T77 1S1588TP-3
•Zener Diode		
iDZ1	46114200	05Z13-Y
iDZ2	46114200	05Z13-Y
iDZ3	46114200	05Z13-Y
iR19	08907100	820 Ω 1/4W C.R. (XX,UL,EU,UK,SEV)
Δ iR20	46230100 08907100	820 Ω 1/2W N.I.R. (CSA) 820 Ω 1/4W C.R. (XX,UL,EU,UK,SEV)
Δ iR21	46230100 08905300	820 Ω 1/2W N.I.R. (CSA) 150 Ω 1/4W C.R. (XX,UL,EU,UK,SEV)
Δ iR23	46229200 08905300	150 Ω 1/2W N.I.R. (CSA) 150 Ω 1/4W C.R. (XX,UL,EU,UK,SEV)
Δ iR24	08922500	47 Ω 1/2W N.I.R.
Δ iR25	08922500	47 Ω 1/2W N.I.R.
iR29	46009100	56k Ω 1/2W C.R.
iR30	46005300	1.5k Ω 1/2W C.R.
iR31	46006500	4.7k Ω 1/2W C.R.
Δ iR42	46230800	3.3 k Ω 1/2W N.I.R.
Δ iR43	46230800	3.3 k Ω 1/2W N.I.R.
iC1	46655600	1000pF 100V F.C.
iC2	46653200	100pF 100V F.C.
iC3	46654600	390pF 100V F.C.
iC9	00411600	47000 μ F 400V F.C.
iC10	46282500	3900pF 50V F.C.
iC11	00414500	0.056 μ F 100V P.C.
iC12	00413200	0.016 μ F 100V P.C.
iC14	46655000	560pF 100V F.C.
iVR1	10342500	4.7k Ω (B) S.V.R., DC OV adj. (EQ. AMP)
•Transistor		
jQ1	03068801	2SC2291
jQ2	46581701	2SC1845
jQ3	46581601	2SA992
jQ4	46581601	2SA992
jQ5	46581701	2SC1845
jQ6	46728301	2SC2705
jQ7	46728201	2SA1145

Parts No.	Stock No.	Description
•FET		
jFT1	48583300	μ PA68HA-L
•Diode		
jD1	03117600 or 46086000	1S2473T77 1S1588TP-3
jD2	03401500	Varistor MV12
•Zener Diode		
jDZ1	46111800	05Z6.2-Y
Δ jR27	08922300	33 Ω 1/2W N.I.R.
Δ jR28	08922300	33 Ω 1/2W N.I.R.
Δ jR31	00182600	39 Ω 1W N.I.R.
jC4	46653800	180pF 100V F.C.
jC5	46655600	1000pF 100V F.C.
jC26	00411600	47000 μ F 400V F.C.
jC27	46655600	1000pF 100V F.C.
jVR3	10341500	100 Ω (B) S.V.R., DC OV adj. (Flat AMP)
•FET		
iFT1	46643500 or 46643501 or 46643600 or 46643601	2SK163-K1 2SK163-K2 2SK117-O 2SK117-Y
iFT2	46643500 or 46643501 or 46643600 or 46643601	2SK163-K1 2SK163-K2 2SK117-O 2SK117-Y
•Diode		
iD1	48123600	11E2
iD2	03117600 or 46086000	1S2473T77 1S1588TP-3
IRL1	48004500	Relay
•Diode		
oD1	48123600	11E2
oD2	48123600	11E2
oD3	48123600	11E2
oD4	48123600	11E2
oD5	48123600	11E2
oD6	48123600	11E2
oD7	48123600	11E2
oD8	48123600	11E2
oD9	48123600	11E2
oD10	48123600	11E2
oS1	46731600	Slide SW., CARTRIDGE SELECTOR
oS2	48116200	Slide SW., REC SELECTOR
oRL1	48004500	Relay
oRL2	48004500	Relay
oRL3	48004500	Relay
oRL4	48004500	Relay
oRL5	48004500	Relay
oRL6	48004500	Relay
oRL7	48004500	Relay
oRL8	48004500	Relay
oRL9	48004500	Relay
oRL10	48004500	Relay
oRL11	48004500	Relay
oRL12	48004500	Relay
oZ1	46685100	4P Terminal, PHONO-1•PHONO-2
oZ2	48109900	2P Terminal, OUTPUT•CD
oZ3	46363900	6P Pin Terminal, TUNER• LINE-1•LINE-2•TAPE-1•TAPE-2

2-6. F-4610 INPUT SELECTOR Board (Stock No. 00984801)

Component Side



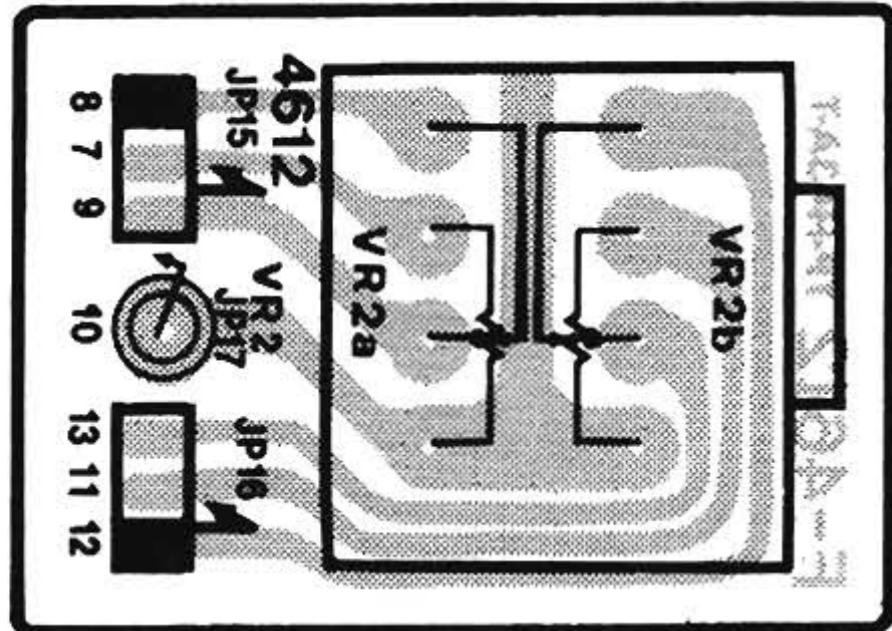
Parts List

Parts No.	Stock No.	Description
•IC		
nIC1	48109500	BA12003
nPL1	48049600	8V 0.1A Pilot Lamp, PHONO1
nPL2	48049600	8V 0.1A Pilot Lamp, PHONO2
nPL3	48049600	8V 0.1A Pilot Lamp, CD
nPL4	48049600	8V 0.1A Pilot Lamp, TUNER
nPL5	48049600	8V 0.1A Pilot Lamp, LINE1
nPL6	48049600	8V 0.1A Pilot Lamp, LINE2

Parts No.	Stock No.	Description
•Transistor		
oQ11	48109800	DTC143ES
oQ12	48109800	DTC143ES
oQ13	48109800	DTC143ES
oQ14	48109800	DTC143ES
oQ15	48109800	DTC143ES
oQ16	48109800	DTC143ES
oS11	46396700	Push SW., PHONO-1
oS12	46396700	Push SW., PHONO-2
oS13	46396700	Push SW., CD
oS14	46396700	Push SW., TUNER
oS15	46396700	Push SW., LINE-1
oS16	46396700	Push SW., LINE-2

2-7. F-4612 MASTER VOLUME Board

Component Side

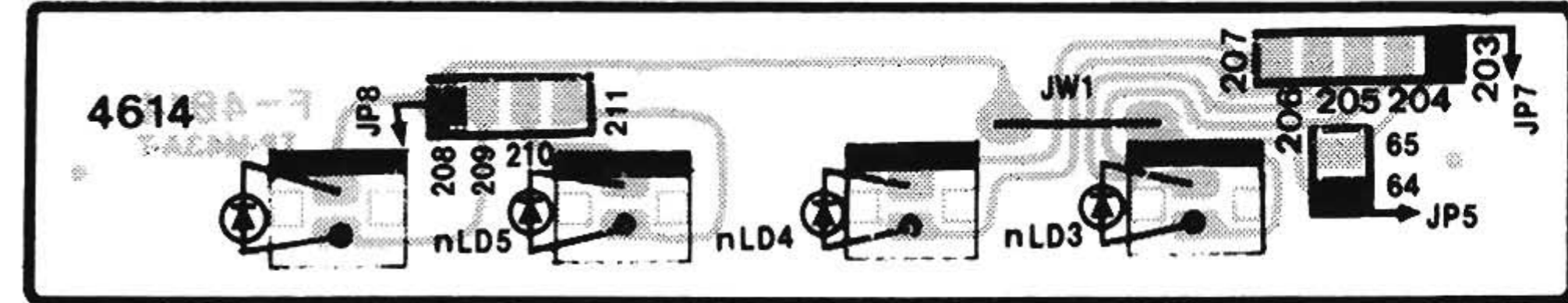


Parts List

Parts No.	Stock No.	Description
jVR2	48110900	100kΩ V.R., MASTER VOLUME

2-9. F-4614 L.E.D Board

Component Side

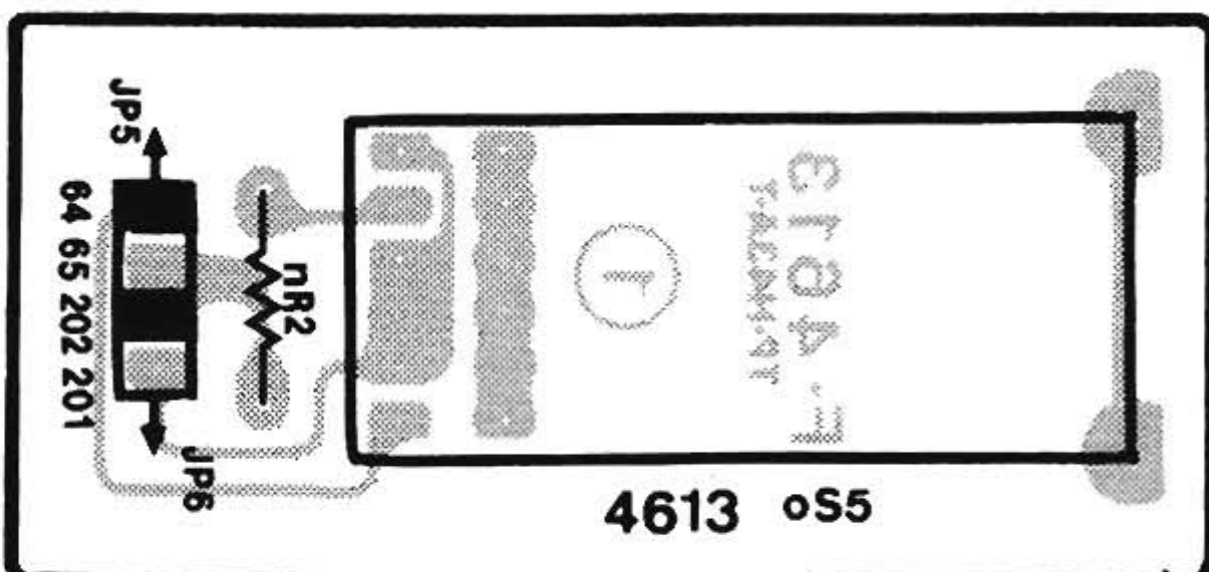


Parts List

Parts No.	Stock No.	Description
•LED		
nLD3	48668400	SEL1810A, MUTING
nLD4	48668400	SEL1810A, LOUDNESS
nLD5	48668400	SEL1810A, SUBSONIC
nLD6	48668400	SEL1810A, EQUALIZER

2-8. F-4613 REC SELECTOR Board

Component Side

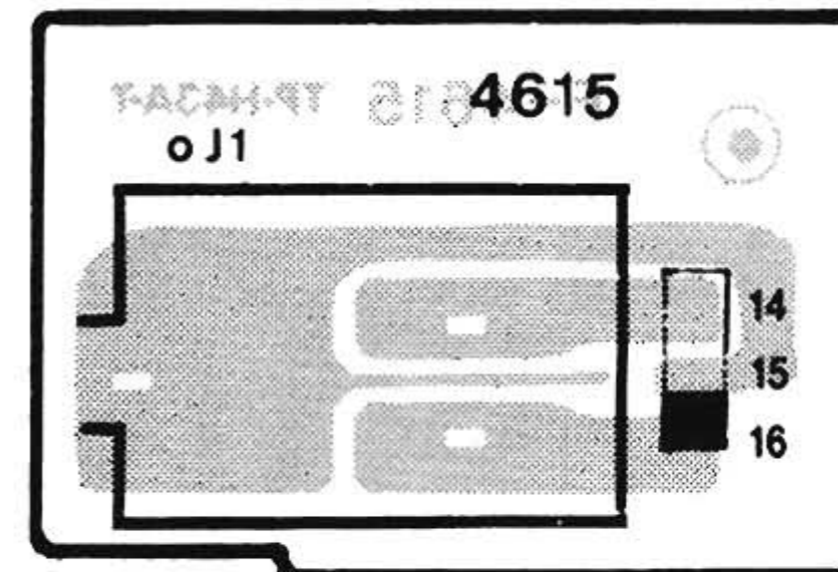


Parts List

Parts No.	Stock No.	Description
oS5	48112310	Rotary SW., REC SELECTOR

2-10. F-4615 PHONES Jack Board

Component Side

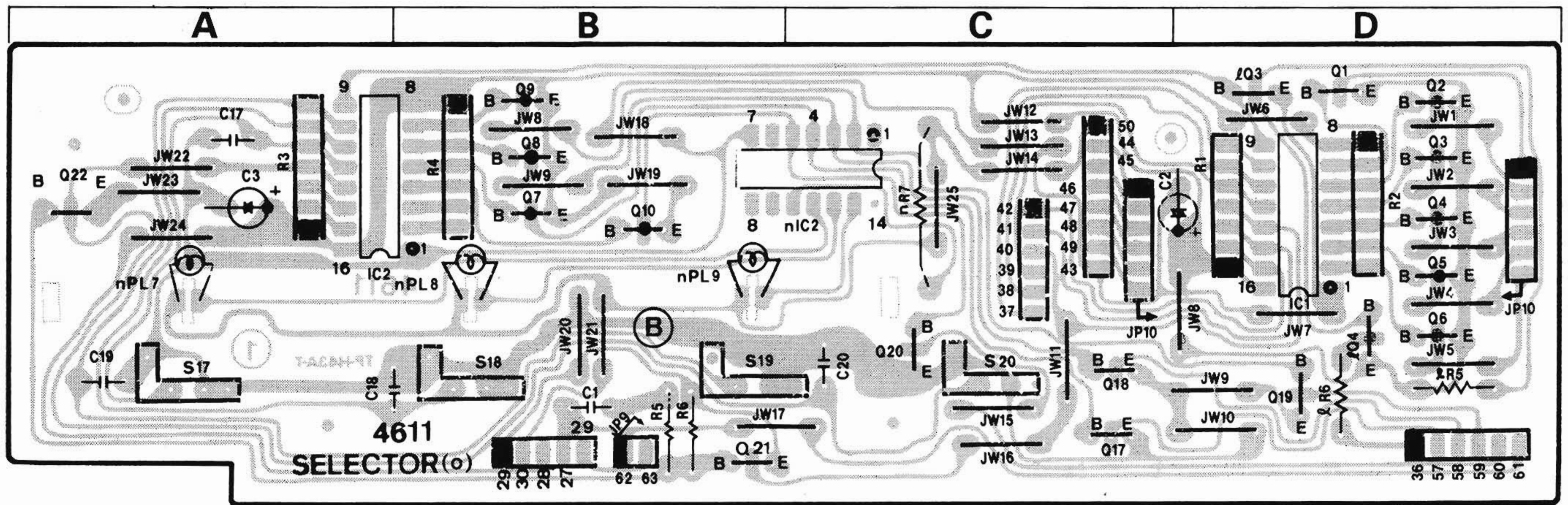


Parts List

Parts No.	Stock No.	Description
oJ1	46078100	Jack, PHONES

2-11. F-4611 SELECTOR Control Board (Stock No. 00984901)

Component Side



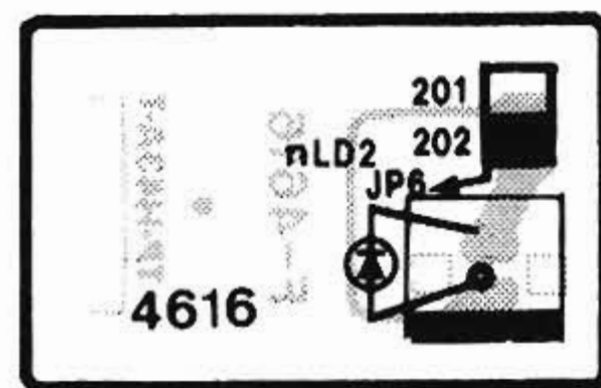
Parts List

Parts No.	Stock No.	Description
•Transistor		
IQ3	48109800	DTA143ES
IQ4	48109700	DTA143ES
•IC		
nIC2	46397500	BA612CA
△nR7	00192000	820Ω 2W N.I.R.
nPL7	48049600	8V 0.1A Pilot Lamp (W/CAP)
nPL8	48049600	8V 0.1A Pilot Lamp (W/CAP)
nPL9	48049600	8V 0.1A Pilot Lamp (W/CAP)
•Transistor		
oQ1	48109700	DTA143ES
oQ2	48109700	DTA143ES
oQ3	48109700	DTA143ES
oQ4	48109700	DTA143ES
oQ5	48109700	DTA143ES
oQ6	48109700	DTA143ES
oQ7	48109700	DTA143ES
oQ8	48109700	DTA143ES

Parts No.	Stock No.	Description
oQ9	48109700	DTA143ES
oQ10	48109700	DTA143ES
oQ17	48109800	DTA143ES
oQ18	48109800	DTA143ES
oQ19	48109800	DTA143ES
oQ20	48109800	DTA143ES
oQ21	46581701	2SC1845
oQ22	46581701	2SC1845
•IC		
oIC1	48109600	TC9135P
oIC2	48109600	TC9135P
oR1	46346800	100kΩX6 1/8W A.R.
oR2	46346800	100kΩX6 1/8W A.R.
oR3	46346800	100kΩX6 1/8W A.R.
oR4	46346800	100kΩX6 1/8W A.R.
oS17	46396700	Push SW., TAPE-1
oS18	46396700	Push SW., TAPE-2
oS19	463967C	Push SW., TAPE-3
oS20	46396700	Push SW., OFF

2-12. F-4616 REC SELECTOR Indicator Board

Component Side

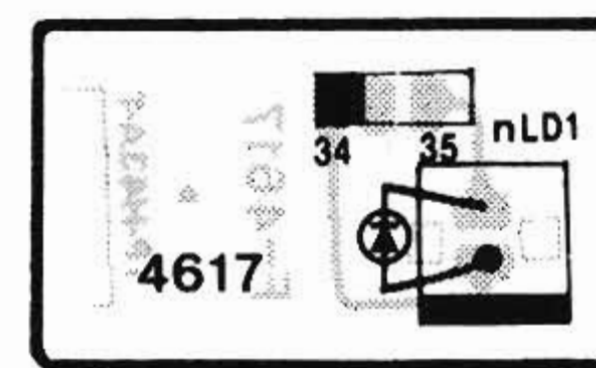


Parts List

Parts No.	Stock No.	Description
•LED		
nLD2	48668400	SEL1810A

2-14. F-4617 Power Indicator Board

Component Side

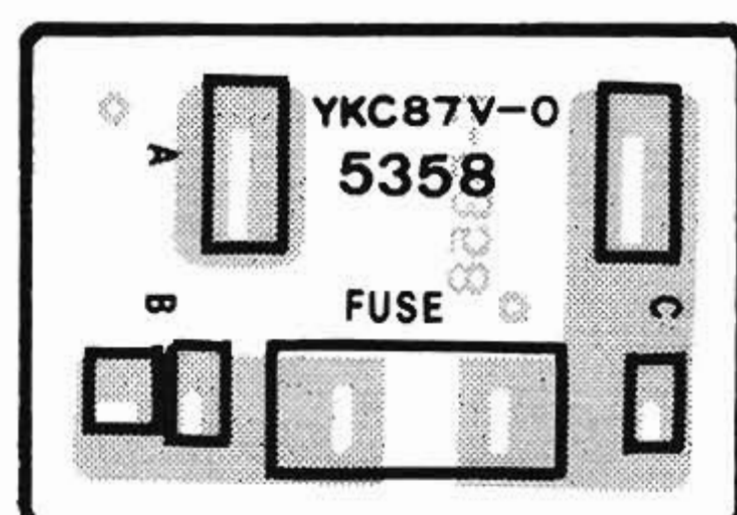


Parts List

Parts No.	Stock No.	Description
•LED		
nLD1	03193700	SEL1110S

2-13. F-5358 Fuse Board <SEV>

Component Side

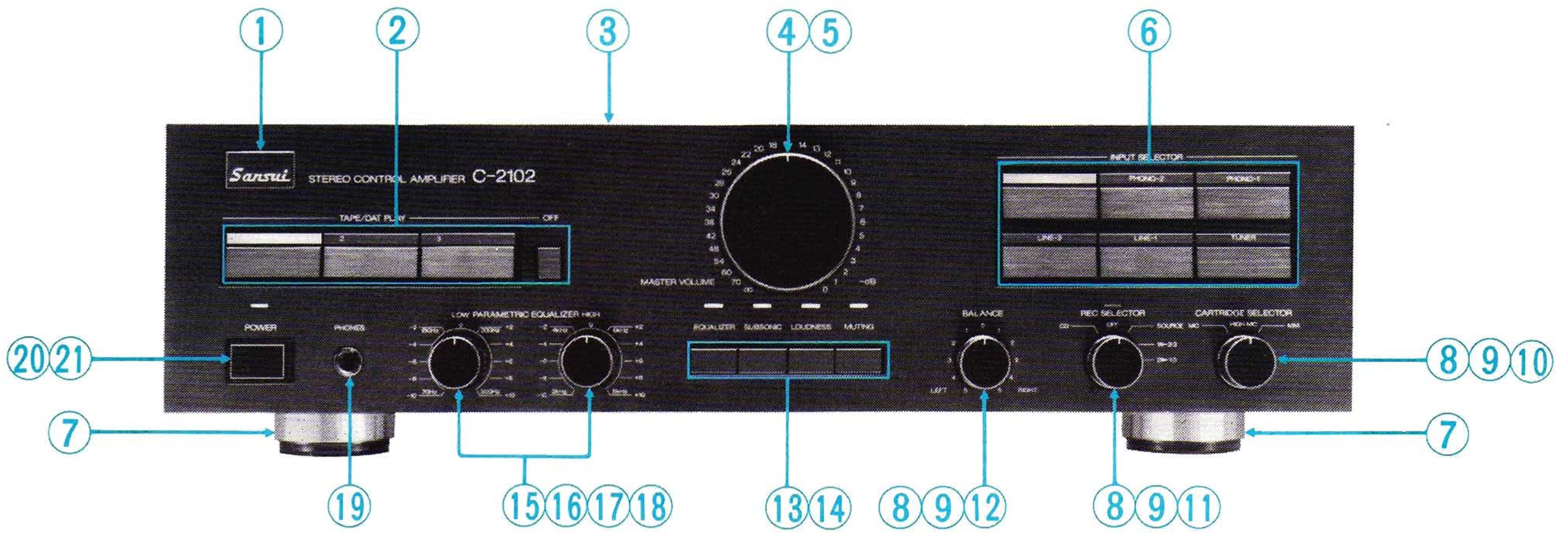


Parts List

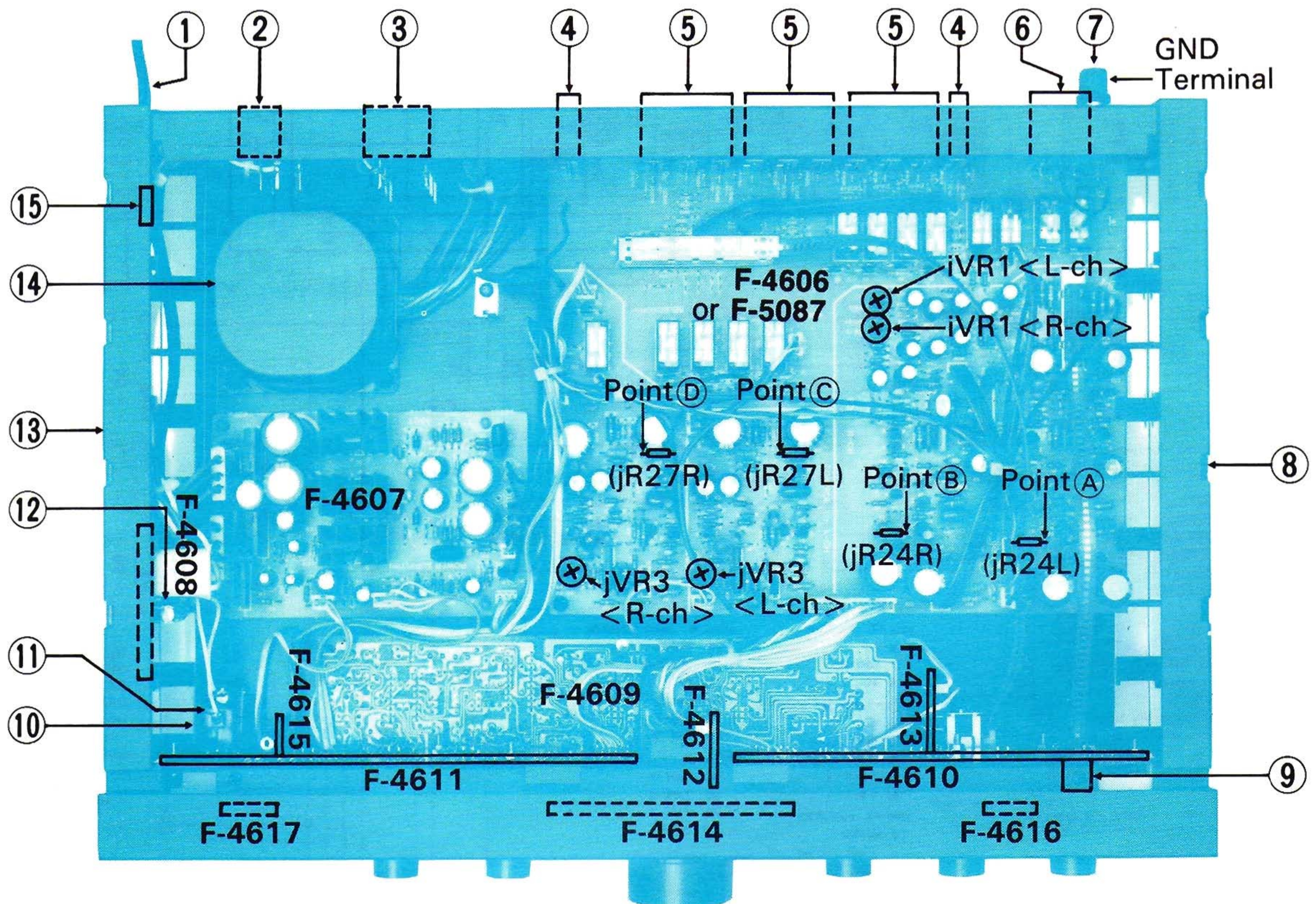
Parts No.	Stock No.	Description
pF2	07185000	Fuse, 2.0A 250V

3. OTHER PARTS

3-1. Front View



3-2. Top View



Parts List <Front View>

Parts No.	Stock No.	Description
1	27210900	Front Panel Ass'y
2	46396700	Push SW., TAPE-1•TAPE-2• TAPE-3•OFF
3	27210800	Bonnet
4	27221400	Knob, MASTER VOLUME
5	48110900	100kΩ(A) V.R., MASTER VOLUME
6	46396700	Push SW., PHONO-1, PHONO-2• CD TUNER•LINE-1•LINE-2
7	47716600	Leg Ass'y
8	27209600	Knob, BALANCE•REC SELECTOR• CARTRIDGE SELECTOR
9	50485400	Masking Sheet
10	48112210	Rotary SW. (with flexible wire) CARTRIDGE SELECTOR
11	48112300	Rotary SW. (with flexible wire) REC SELECTOR
12	48112400	250kΩ V.R., BALANCE
13	47625000	Push Knob, EQUALIZER• SUBSONIC•LOUDNES•MUTING
14	48113100	Push SW., EQUALIZER• SUBSONIC•LOUDNESS•MUTING
15	27209800	Knob, PARAMETRIC EQUALIZER Level (Outside)
16	27209700	Knob, PARAMETRIC EQUALIZER Frequency (Inside)
17	47878900	Teflon Washer
18	48111000	100kΩ•10kΩ V.R., PARAMETRIC EQUALIZER
19	46078100	Jack, PHONES
20	47633700	Push Knob, POWER
△21	46612900	Push SW., POWER

Parts List <Top Viwe>

Parts No.	Stock No.	Description
△ 1	46407700	Power Supply Cord <XX>
△	46128900	Power Supply Cord <EU,UK>
△	48188000	Power Supply Cord (polarized) <UL,CSA>
△ 2	48069600	Voltage Selector Switch <XX>
△	07204700	Slide SW., Voltage Selector <EU,UK,SEV>
△ 3	46730400	AC Outlet <XX>
△	46161000	AC Outlet <EU,SEV>
△	48184700	AC Outlet (polarized) <UL,CSA>
△	46364800	AC Outlet <UK>
4	48109900	2P Terminal Board, OUTPUT•CD
5	46363900	6P Terminal Board, TUNER• LINE-1•LINE-2•TAPE-1• TAPE-2•TAPE-3
6	46685100	4P Terminal Board, PHONO-1• PHONO-2
7	22301900	GND Terminal
8	47661900	Right Side Panel Ass'y
9	48112210	Rotary SW., CARTRIDGE SELECTOR
△ 10	46425800	0.01μF 400V C.C.
△ 11	46612900	Push SW., POWER
△ 12	07188400	Fuse 1.0A 250V <XX,UL,CSA>
△	07184700	Fuse 1.0A 250V <EU,UK,SEV>
13	47661800	Left Side Panel Ass'y <XX,UL,CSA>
	47729900	Left Side Panel Ass'y <EU,UK,SEV>
△ 14	15018311	Power Transformer <XX>
△	15018312	Power Transformer <UL,CSA>
△	15018315	Power Transformer <EU,UK,SEV>
15	47157300	Powre Supply Cord Cover

4. ADJUSTMENT

- Condition:**
1. Master Volume Minimum
 2. Room Temperature 18°C ~ 28°C (65°F ~ 83°F)
 3. Test Equipment DC Volt Meter
 4. For this adjustment, run the unit for more than 3 minutes after the power is switched ON.

4-1. F-4606 or F-5087 Equalizer Amp. Circuit Adjustment (Refer to Top View)

- Condition:**
1. Insert Short-Pin plug to the PHONO-2 terminal
 2. Set INPUT SELECTOR switch to PHONO-2

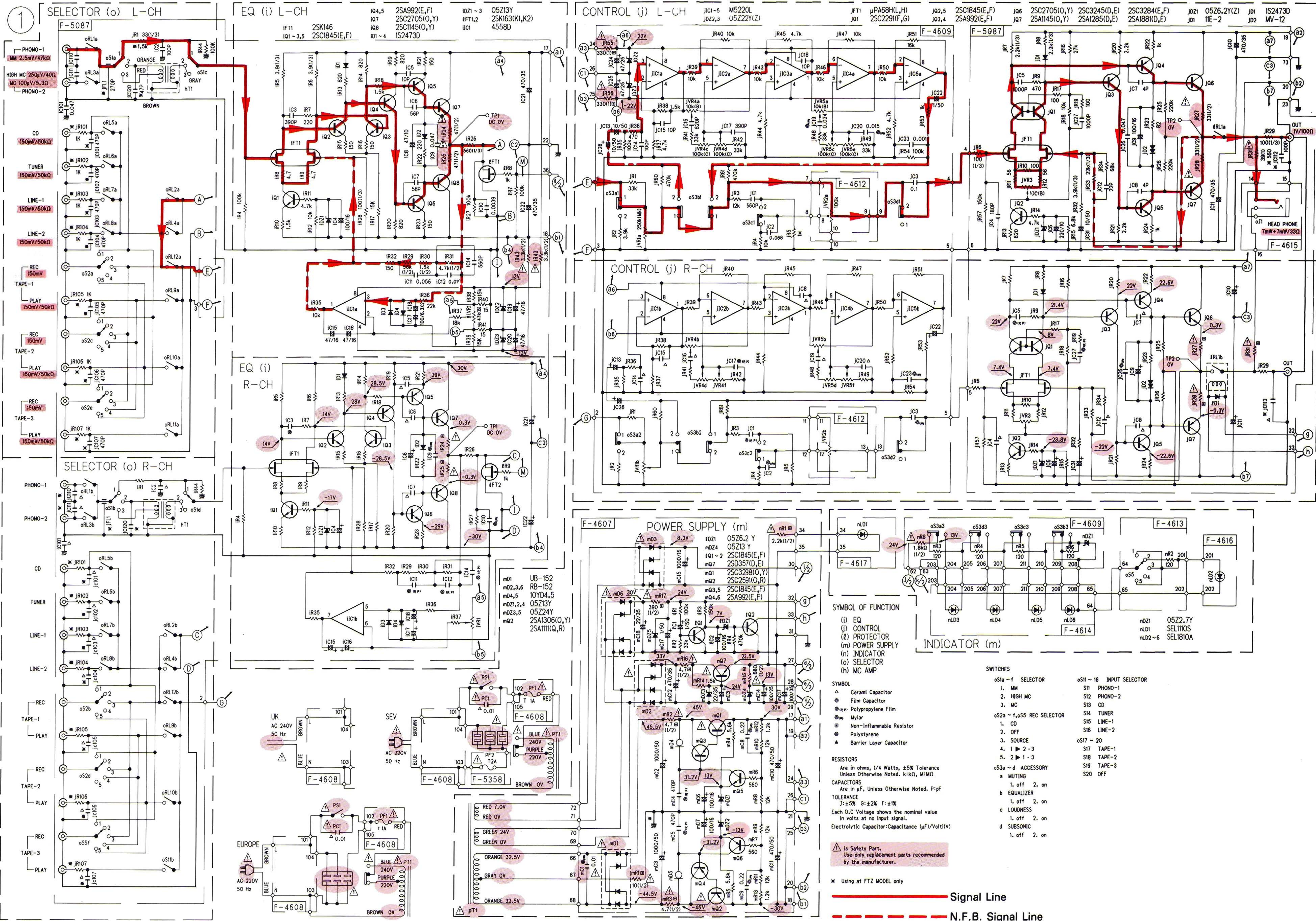
STEP	SUBJECT	MESURE OUTPUT	ADJUST	ADJUST FOR
1	Center DC 0V Adj. <L-ch>	DC Voltage between Test Point(A) (iR24L) and GND Terminal.	iVR1 <L-ch>	DC 0±5mV
2	Center DC 0V Adj. <R-ch>	DC Voltage between Test Point(B) (iR24R) and GND Terminal.	iVR1 <R-ch>	DC 0±5mV

4-2. F-4606 or F-5087 Flat Amp. Circuit Adjustment (Refer to Top View)

STEP	SUBJECT	MESURE OUTPUT	ADJUST	ADJUST FOR
1	Center DC 0V Adj. <L-ch>	DC Voltage between Test Point(C) (jR27L) and GND Terminal.	jVR3 <L-ch>	DC 0±5mV
2	Center DC 0V Adj. <R-ch>	DC Voltage between Test Point(D) (jR27R) and GND Terminal.	jVR3 <R-ch>	DC 0±5mV

5-2. Control Amp. Section <EU, UK, SEV>

* Design and specifications subject to change without notice for improvement.
 * La présentation et les spécifications sont susceptibles d'être modifiées sans préavis par suites d'améliorations éventuelles.
 * Änderungen, die dem technischen Fortschritt dienen, bleiben vorbehalten.

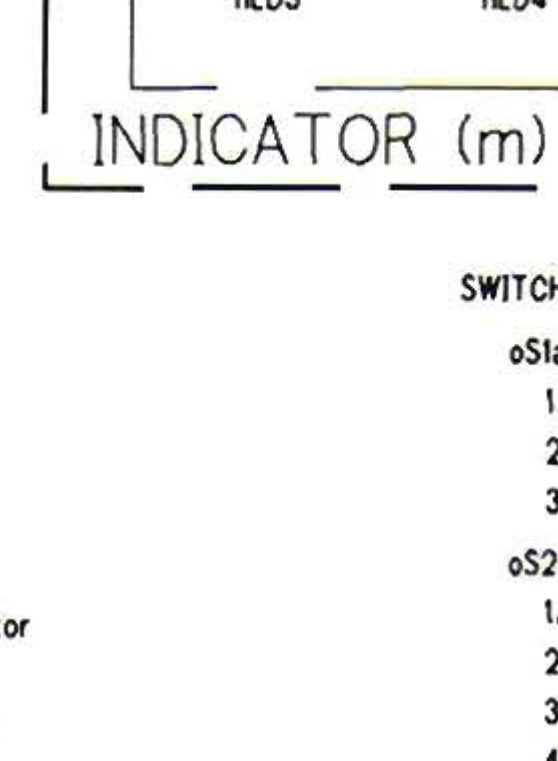


- 25A992
- 25A1146
- 25C1845
- 25C2705
- DTA143
- DTC143
- 2SD357
- 2SA1306
- 25C3298
- 2SK117
- 2SK163
- 2SK146
- 25C2291
- µPA68H
- M5220L
- BA612
- BA12003
- NJM4558D
- TC9135P
- Def or Silt or Line
- RB152-LEF
- UB-152LFE
- MV-12
- 10YD4.5-B
- 1S1588
- SEL1110S
- 1S2473
- SLP-470C
- 10E-2
- 11E-2
- 05Z22-7-Y
- 05Z23-Y
- 05Z22-Y
- 05Z22-Y
- 05Z24-Y

SYMBOL OF FUNCTION

- (i) EQ
- (j) CONTROL
- (k) PROTECTOR
- (m) POWER SUPPLY
- (n) INDICATOR
- (o) SELECTOR
- (h) MC AMP

INDICATOR (m)



SWITCHES

- o51a-f SELECTOR
- o511-16 INPUT SELECTOR
- o52a-f, o55 REC SELECTOR
- o53a-d ACCESSORY
- o57-20

- o51a-1 PHONO-1
- o51b PHONO-2
- o52 HIGH MC
- o53 MC
- o54 TUNER
- o55 LINE-1
- o56 LINE-2
- o57 TAPE-1
- o58 TAPE-2
- o59 TAPE-3
- o50 OFF

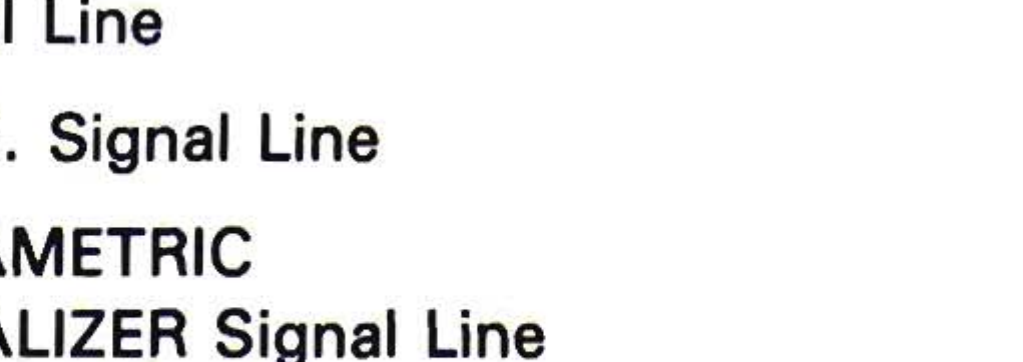
RESISTORS
 Are in ohms, 1/4 Watts, ±5% Tolerance
 Unless Otherwise Noted. k:KΩ, M:MΩ

CAPACITORS
 Are in µF, Unless Otherwise Noted. P:pF

TOLERANCE
 J:±5% G:±2% F:±1%

Each D.C. Voltage shows the nominal value
 in volts at no input signal.

Electrolytic Capacitor: Capacitance (µF)/Voltage (V)



1

2

3

4

5

A

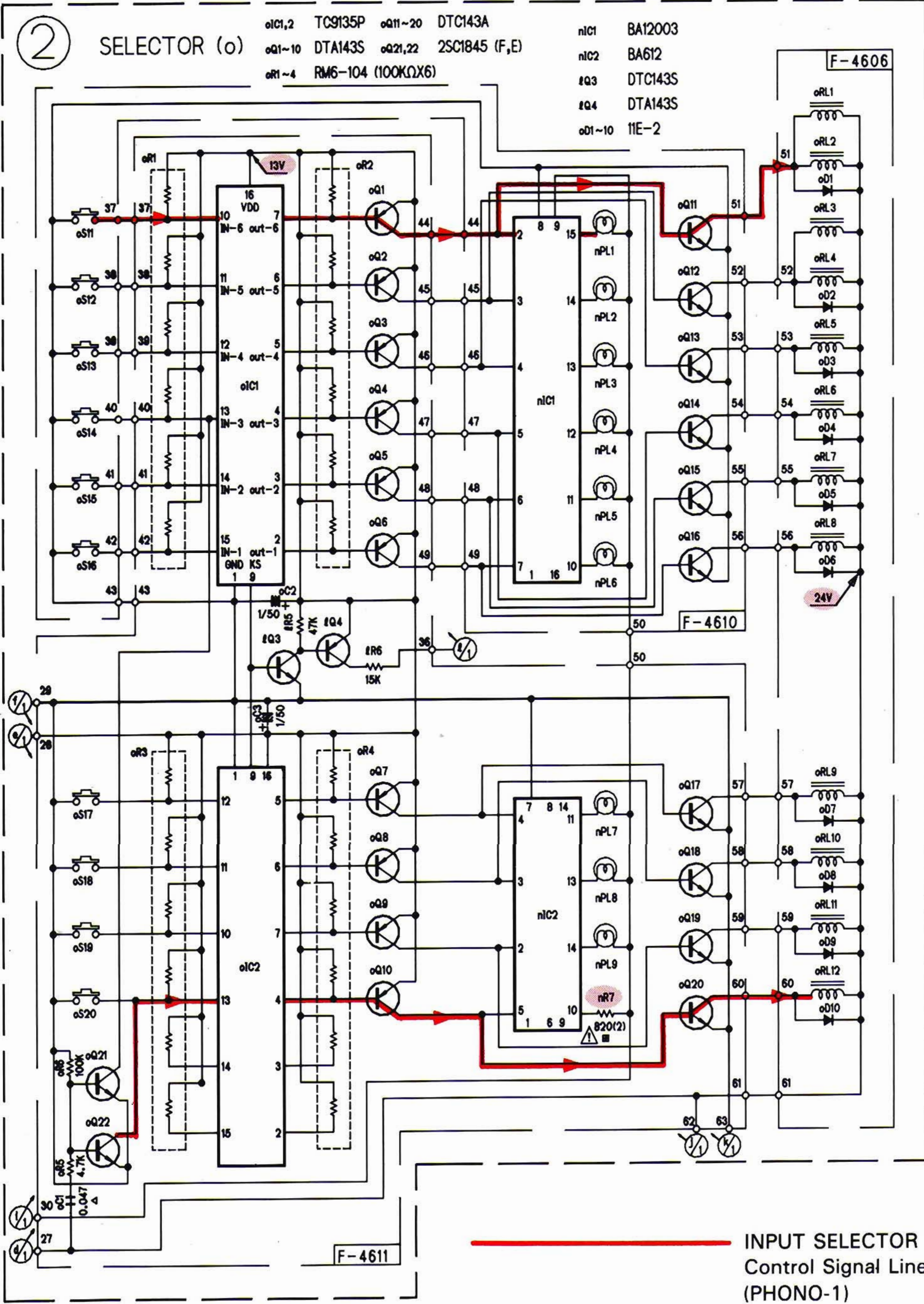
B

C

D

5-3. INPUT SELECTOR Control Section

*Design and specifications subject to change without notice for improvement.
 *La présentation et les spécifications sont susceptibles d'être modifiées sans préavis par suites d'améliorations éventuelles.
 *Änderungen, die dem technischen Fortschritt dienen, bleiben vorbehalten.



- 2SA992
- 2SA1145
- 2SC1845
- 2SC2291
- 2SC2705
- DTA143
- DTC143
- 2SD357
- 2SA1306
- 2SC3298
- 2SK117
- 2SK163
- 2SK146
- 2SC2291
- μPA68H
- M5220L
- BA612
- BA12003
- NJM4558D
- TC9135P
- Dot or Slit or Line
- RB152-LEF
- UB-152LFE
- MV-12
- 10YD4.5-B
- 1S1588
- 1S2473
- 10E-2
- 11E-2
- SEL1110S
- SLP-470C
- 05Z2.7-Z
- 05Z6.2-Y
- 05Z13-Y
- 05Z22-Y
- 05Z24-Y

SYMBOL OF FUNCTION

- (i) EQ
- (j) CONTROL
- (l) PROTECTOR
- (m) POWER SUPPLY
- (n) INDICATOR
- (o) SELECTOR

SYMBOL

- △ CeramI Capacitor
- ⊙ Film Capacitor
- ⊙ (P.P.) Polypropylene Film
- ⊙ (m) Mylar
- ⊙ Non-inflammable Resistor
- ⊙ Polystyrene

RESISTORS

Are in ohms, 1/4 Watts, ±5% Tolerance Unless Otherwise Noted. k:KΩ. M:MΩ

CAPACITORS

Are in μF. Unless Otherwise Noted. P:pF

TOLERANCE

J: ±5% G: ±2% F: ±1% Each D.C Voltage shows the nominal value in volts at no input signal.

Electrolytic Capacitor: Capacitance (μF)/Volt(V)



is Safety Part Use only replacement parts recommended by the manufacturer.

SWITCHES

oS1a-f SELECTOR

- 1. MM
- 2. HIGH MC
- 3. MC

oS2a-f REC SELECTOR

- 1. CD
- 2. OFF
- 3. SOURCE
- 4. 1 ▶ 2-3
- 4. 2 ▶ 1-3

oS3a-d ACCESSORY

- a. MUTING
- 1. off 2. on
- b. EQUALIZER
- 1. off 2. on

c. LOUDNESS

- 1. off 2. on

d. SUBSONIC

- 1. on 2. off

oS11-16 INPUT SELECTOR

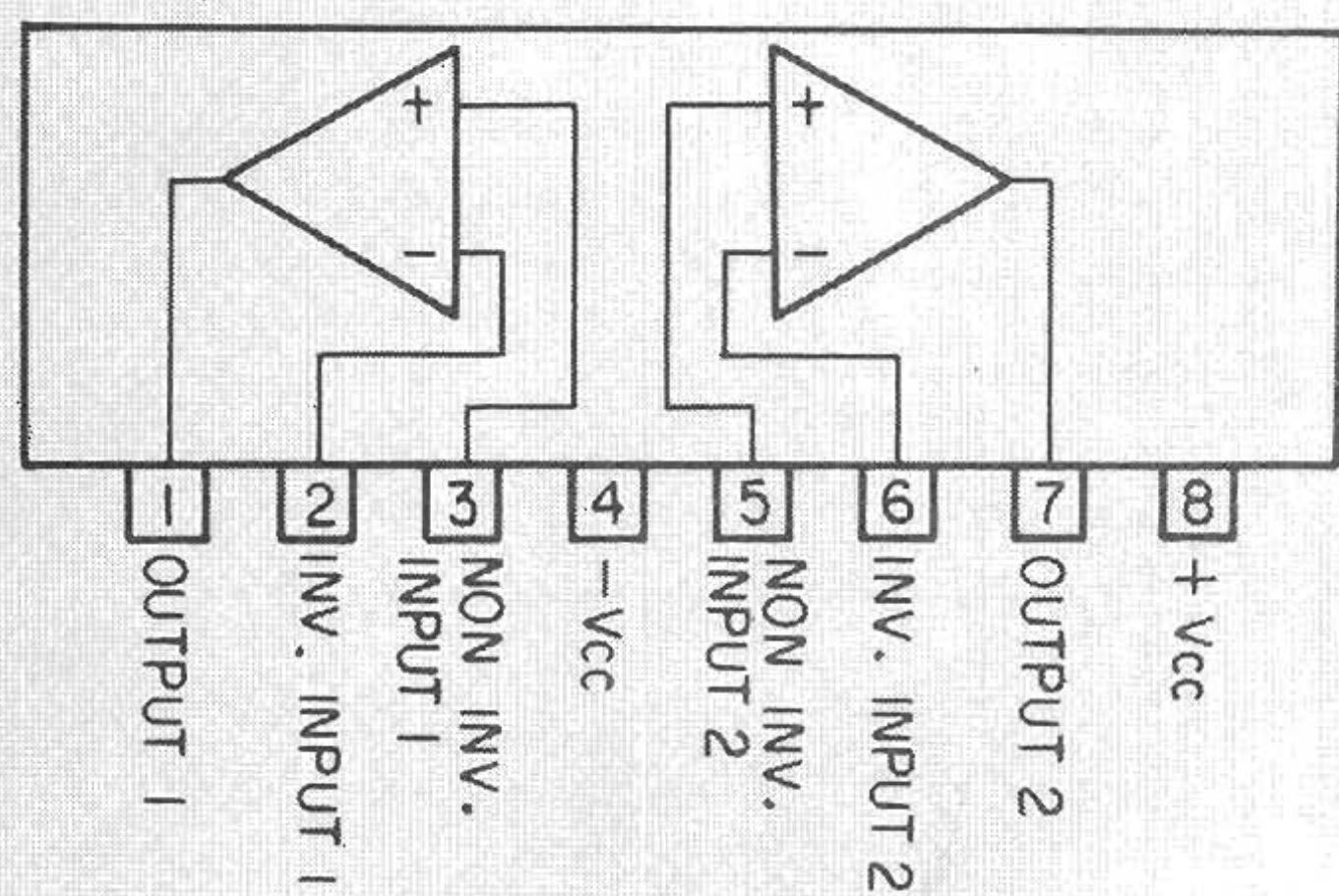
- S11 PHONO-1
- S12 PHONO-2
- S13 CD
- S14 TUNER
- S15 LINE-1
- S16 LINE-2

oS17-20

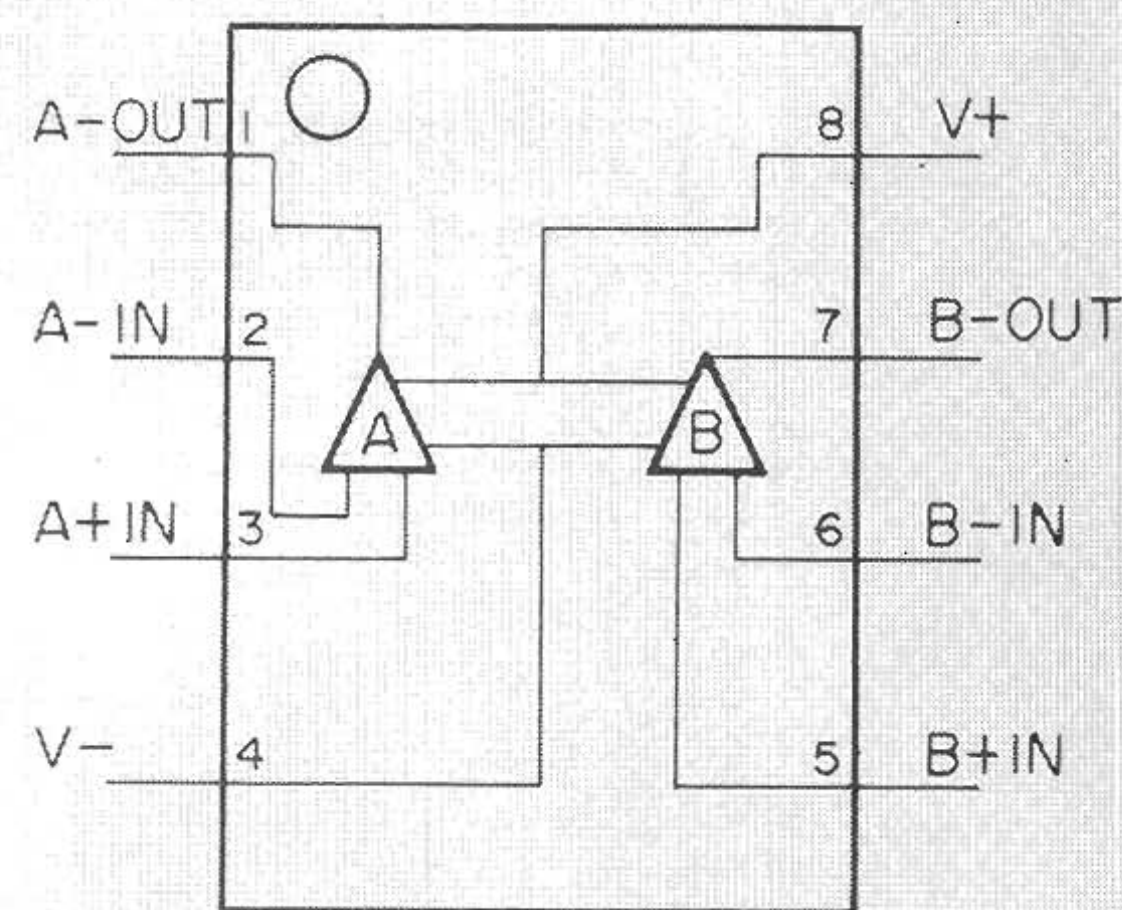
- S17 TAPE-1
- S18 TAPE-2
- S19 TAPE-3
- S20 OFF

6. INTERIOR BLOCK DIAGRAM OF IC

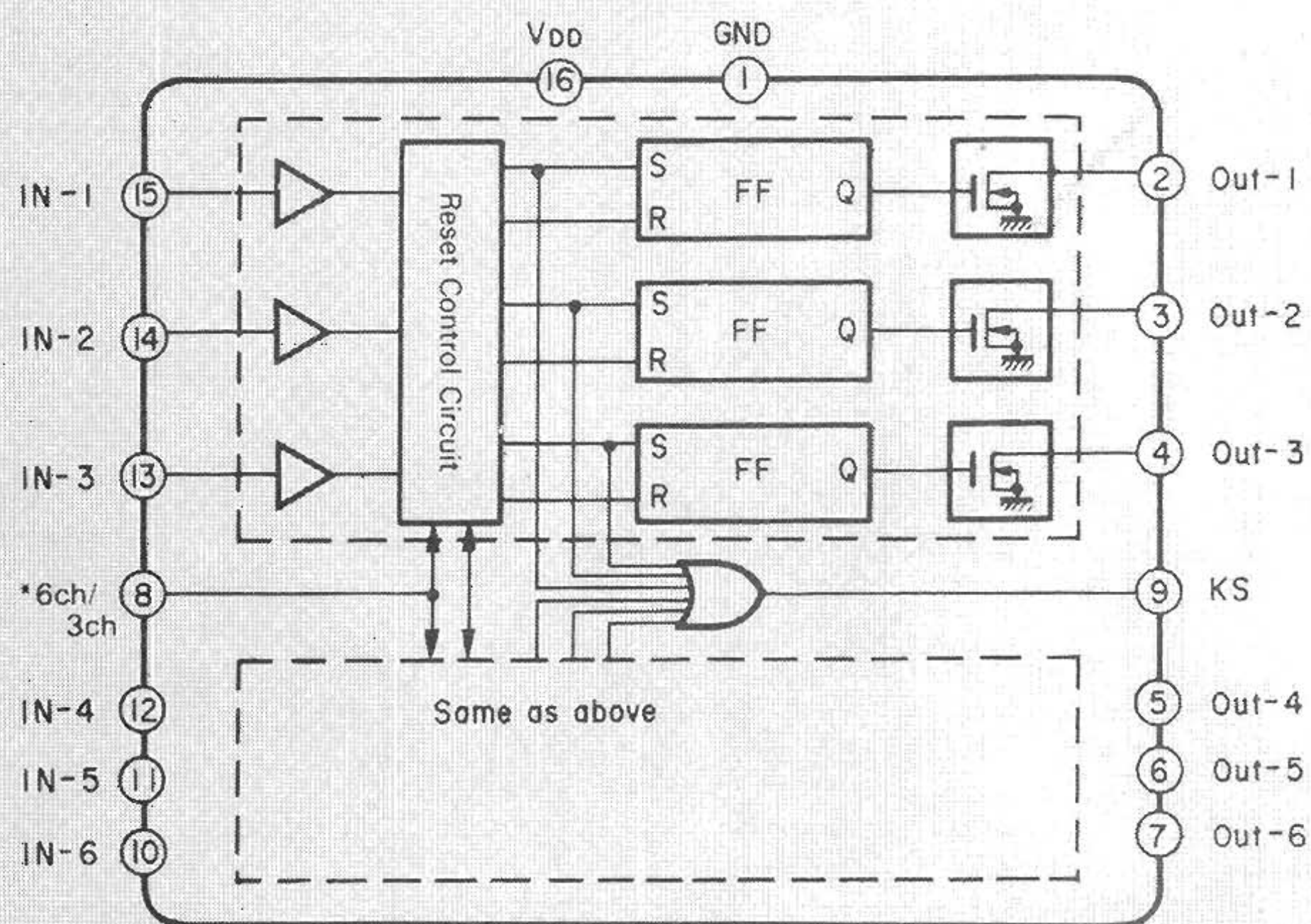
•M5220L (Audio Pre Amp.)



•NJM4558D (OP Amp.)

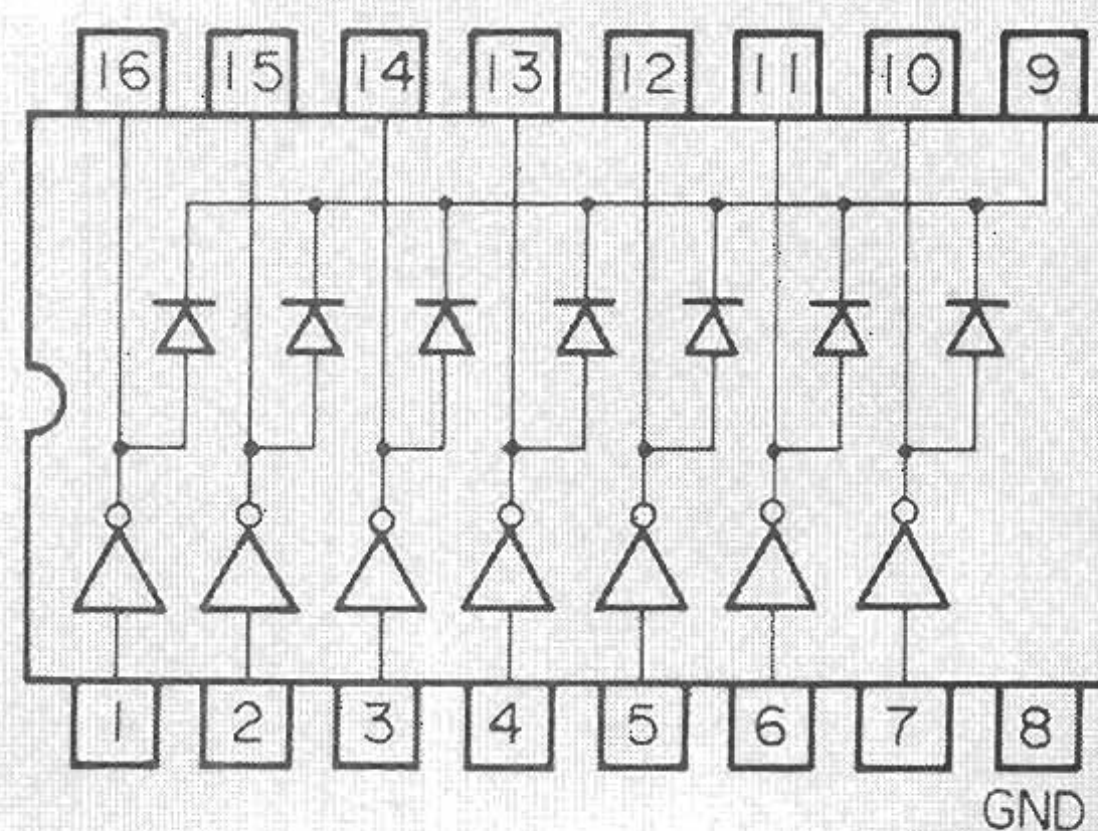


•TC9135P (Function Switch)

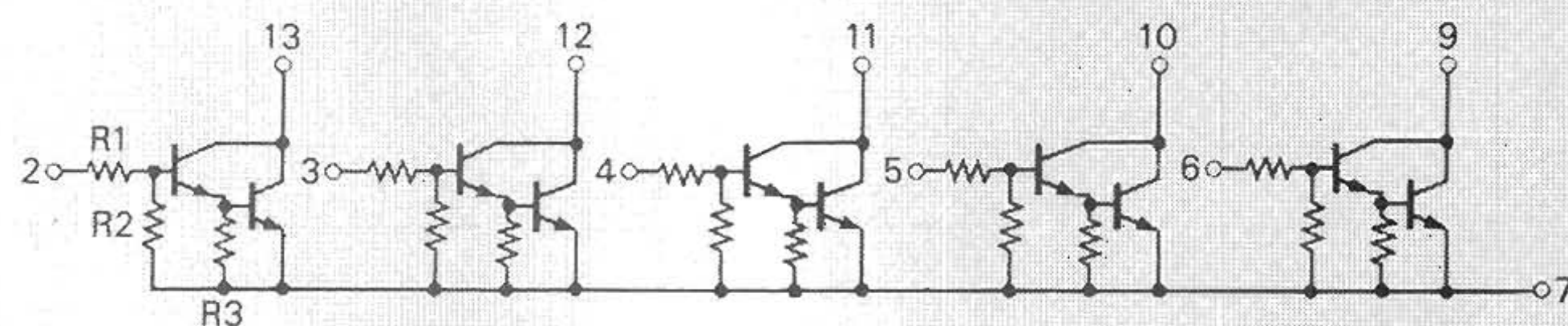


* Terminal for inputting mutual reset control.
When this terminal is H level voltage, all Flip-Flop Circuits are mutual reset type.
When this terminal is L level voltage, each Flip-Flop circuits are separated to two mutual reset groups of IN-1 ~ IN-3 and IN-4 ~ IN-6.

•BA12003 (Indicator Lamp Drive)

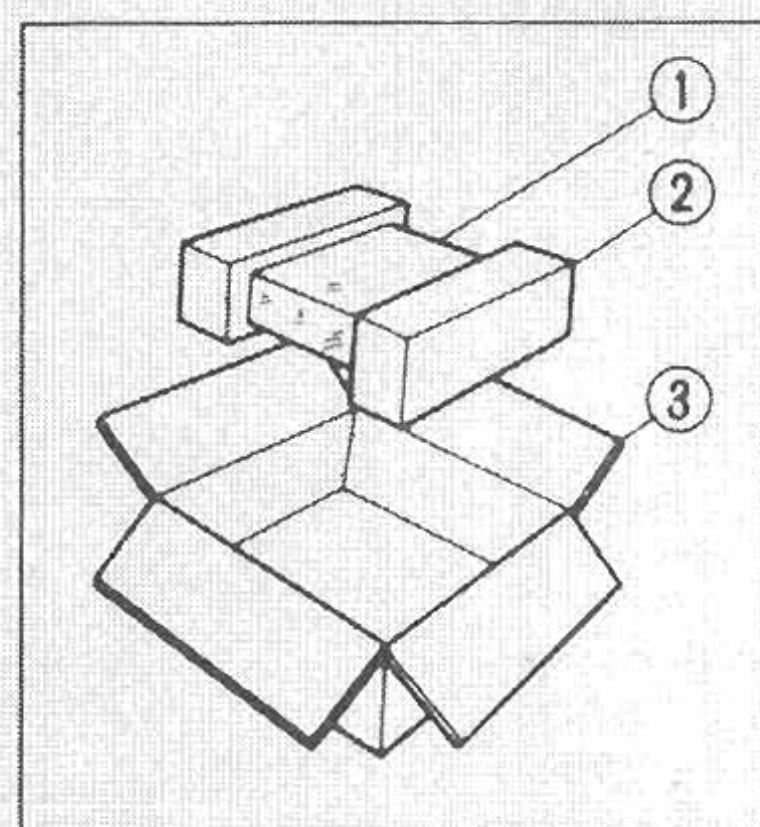


•BA612 (Indicator Lamp Drive)



7. PACKING LIST

Parts No.	Stock No.	Description
1	47858600	Vinyl Cover
2	47675300	Styrofoam Packing
3	27209500	Carton Case



8. ACCESSORY LIST

Stock No.	Description
38103300	PJP Cord
48587100	Short Pin Plug x 2
49013600	Operating Instruction (*E·F·S)
49013700	Operating Instruction (*G·I·Sw)

* Note:
E·F·S: English·French and Spanish Version
G·I·Sw: German·Italian and Swedish Version



SANSUI ELECTRIC CO., LTD.:
SANSUI ELECTRONICS CORPORATION:
SANSUI ELECTRONICS (U.K.) LTD.:
SANSUI ELECTRONICS G.M.B.H.:

14-1, Izumi 2-chome, Suginami-ku, Tokyo 168 Japan
PHONE: (03) 324-8891/TELEX: 232-2076 (International Division)
1250 Valley Brook Ave. Lyndhurst, N.J. 07071 U.S.A.
17150 South Margay Ave. Carson, California 90746 U.S.A.
3036 Koapaka Street. Honolulu, Hawaii 96819 U.S.A.
Unit 10A, Lyon Industrial Estate, Rockware Avenue, Greenford, Middx UB6, OAA, England
Pau Ehrich Strasse 8, 6074 Rödermark 2, West Germany